

**Proxicast
Dual Band 2.4 / 5.8 GHz Wi-Fi
Omni-Directional
3-5 dBi Screw Mount Antenna**

Model: ANT-131-002



Proxicast, LLC
312 Sunnyfield Drive, Suite 200
Glenshaw, PA 15116 USA
1-877-777-7694
www.proxicast.com


proxicast®

Model: ANT-131-002

Electrical Specifications

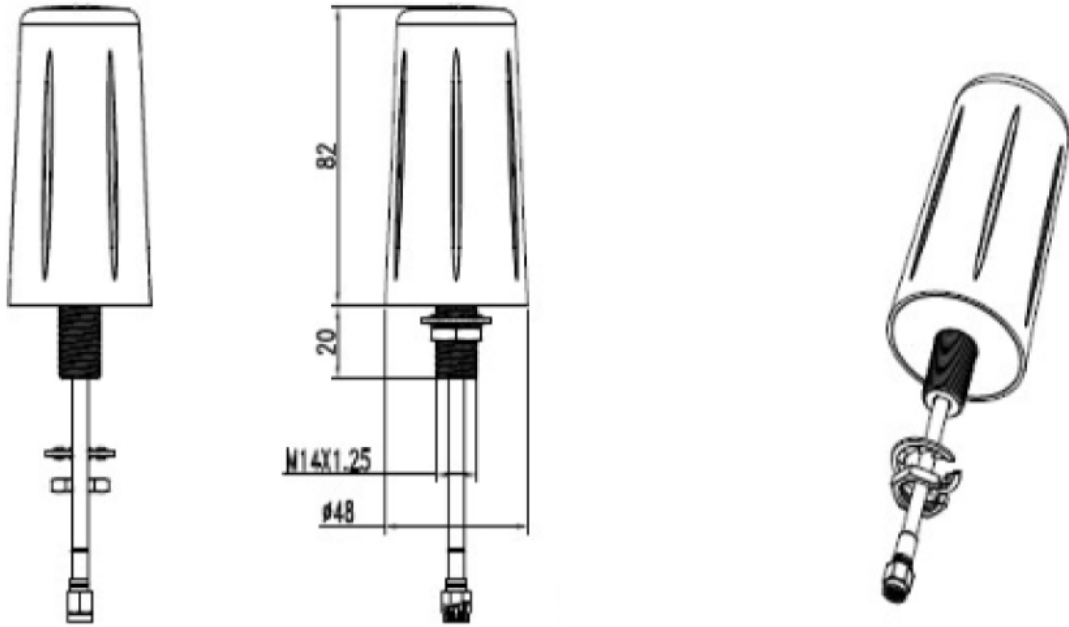
Frequency Range	2400-2483 / 5150-5250 / 5725-5850 MHz 802.11 a, b g, n, ac
Gain	3-5 dBi
VSWR	≤ 2.0:1
Input Impedance	50 ohm
Polarization Type	Vertical
Max Input power	50 W
Ground Plane	8 inch (20 cm) diameter min. unless wall mounted using included bracket.

Mechanical Specifications

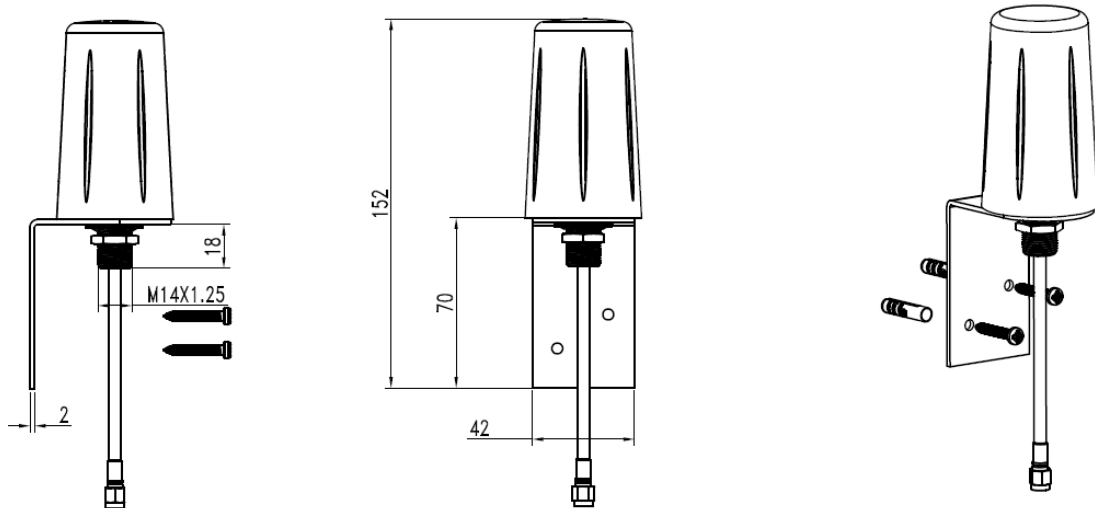
Connector Type	Reverse Polarity SMA Male (plug)
Antenna Color	Black
Materials	Radome: UV stabilized ABS plastic Connector: Brass with Nickel plating Mounting Bracket: Aluminum RoHS compliant
Cable Length	10 ft (3 m) of RG58U coax
Height	Radome: 3.2 inches (82 mm)
Diameter	Radome: 1.9 inches (48 mm) at base Mounting post: 0.55 inches (14 mm)
Weight	6.2 oz (176 g)
Operating Temperature	-40°C to +70°C
Environmental Rating	IP67 (waterproof)

Model: ANT-131-002

Mechanical Specifications (mm)



With Wall Mounting Bracket



Proxicast, LLC
312 Sunnyfield Drive, Suite 200
Glenshaw, PA 15116 USA
1-877-777-7694
www.proxicast.com

